

**SINGLE PURGE MANIFOLD
ASSY W/ MICROVALVE DUMP
200M65-EMF**

FITTINGS:
1836NYF: PD, PT, PR
1806NYF: P, D
1438NYF: FA, AA

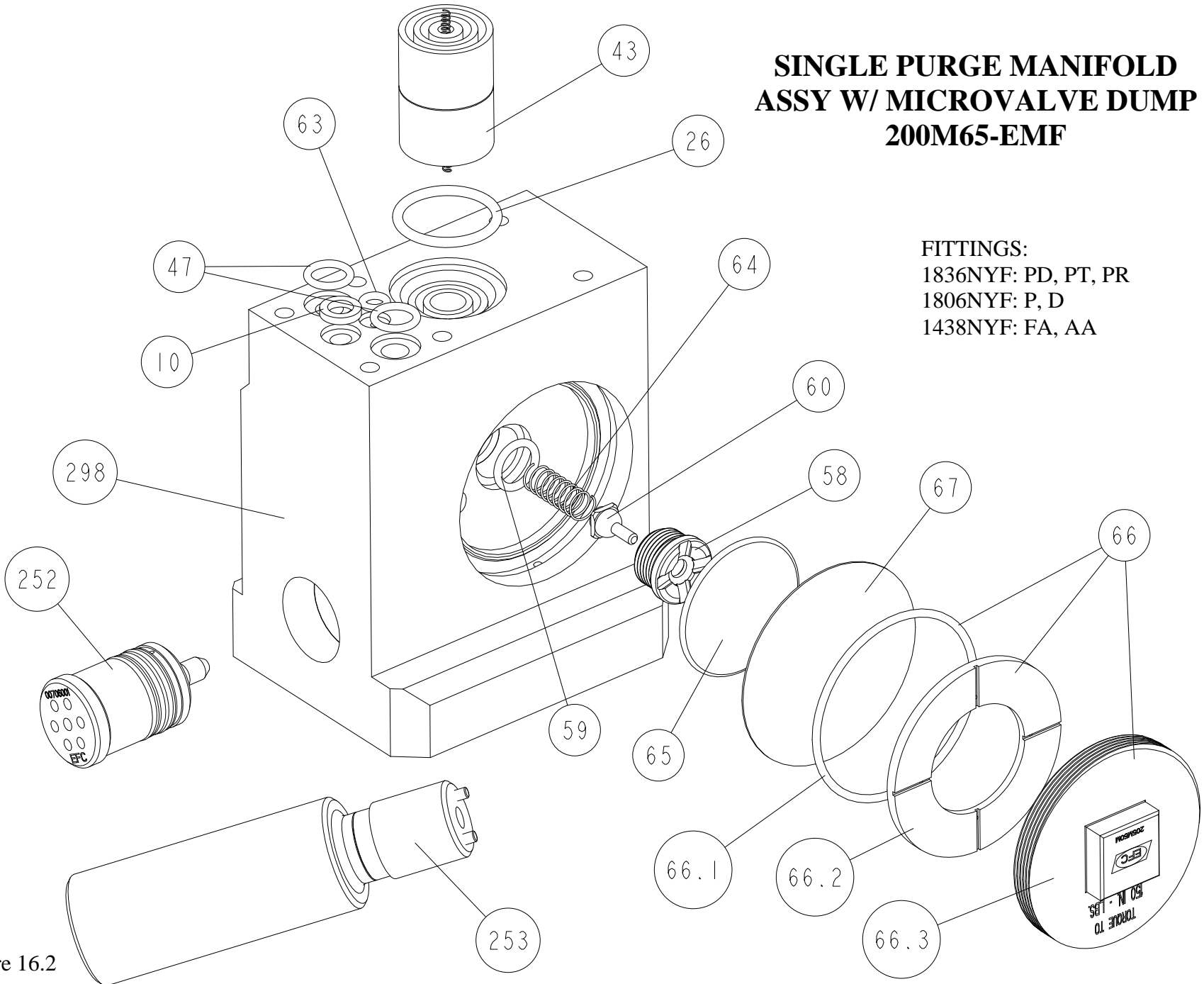


Figure 16.2

DESCRIPTION	ITEM #	FIG	EFC PART #	SAMES® PART #
WASHER, FLAT, TEKREZ® (CHEMICALLY RESISTANT)	10	16.2	252L60	82-0883-00
O-RING, VITON	26	16.2	2524VR	J2FTCF051
O-RING, TEKREZ® (CHEMICALLY RESISTANT)	26.1	16.2	2524CR	82-0410-11
MAIN ISOLATOR	43	16.2	316P50	448768
O-RING, VITON	47	16.2	8919VR	J2FTCF018
O-RING, TEKREZ® (CHEMICALLY RESISTANT)	47.1	16.2	8919CR	82-0410-03
SEAT, STAINLESS STEEL	58	16.2	211M50	742761
SEAT, COMPOSITE	58.1	16.2	30-1A22	N/A
O-RING, TEFLON	59	16.2	1020TR	J3TTCN007
NEEDLE VALVE, STAINLESS STEEL	60	16.2	210M50	740511
NEEDLE VALVE, COMPOSITE	60.1	16.2	210M50A	N/A
O-RING, VITON	63	16.2	4219VR	J2FTCF043
O-RING, TEKREZ® (CHEMICALLY RESISTANT)	63.1	16.2	4219CR	82-0410-21
REGULATOR SPRING	64	16.2	204M50	742759
REGULATOR DIAPHRAGM HOLDER	65	16.2	208M50	449545
REGULATOR COVER ASS'Y	66	16.2	205M50	N/A
O-RING, VITON	66.1	16.2	4724VR	N/A
REGULATOR COVER SPACER	66.2	16.2	205M50C	741037
REGULATOR COVER, SQUARE	66.3	16.2	205M50M	72-0559-02
REGULATOR COVER, 4 HOLE	66.4	16.2	206M50	N/A
REGULATOR DIAPHRAGM	67	16.2	209M50	640265
MICROVALVE (CHEMICALLY RESISTANT)	252	16.2	277T60CRG	1506729
TOOL, MICROVALVE REMOVAL	253	16.2	TL950	736170
MANIFOLD BODY, SP, STD REG, MICROVALVE DUMP		16.2	200M65A-EMF	N/A
MAIN ISOLATOR PLUG FOR NON-ESTAT APPLICATIONS	*	16.2	201M50B	N/A

* = NOT SHOWN