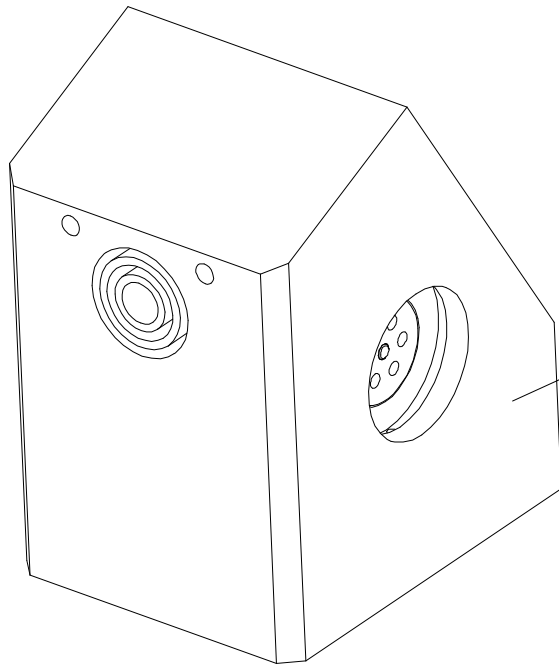


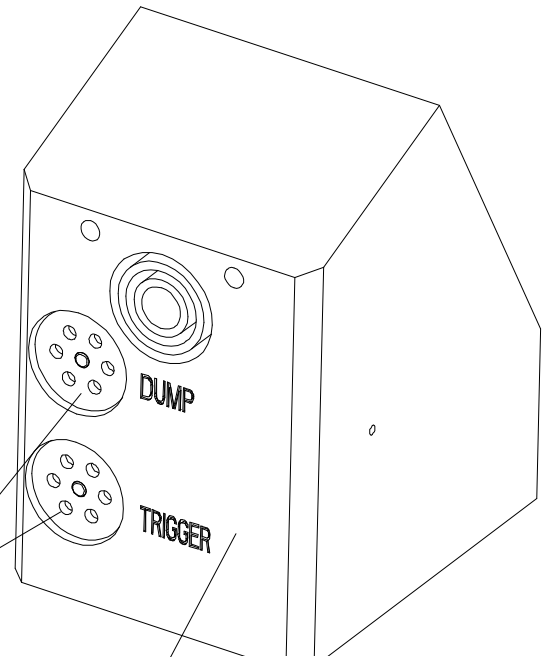
MICROVALVE MANIFOLD ASSEMBLIES

(FITTINGS SAME AS FIG. 39.1)



235

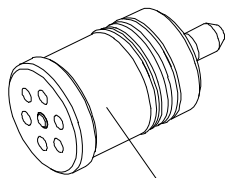
MICROVALVE TRIGGER ONLY



MICROVALVES

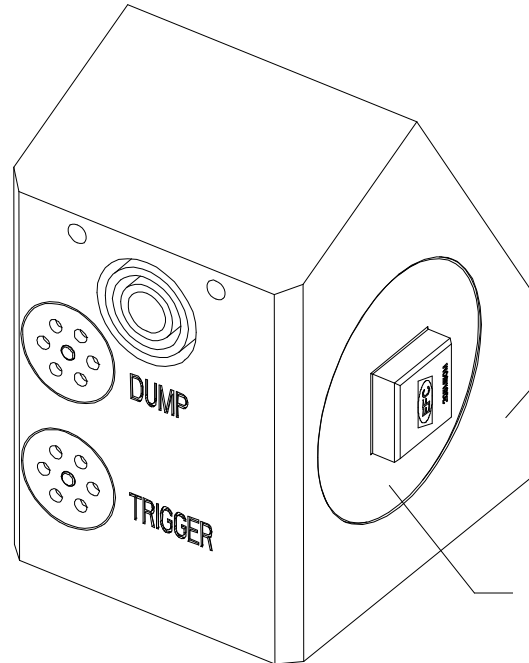
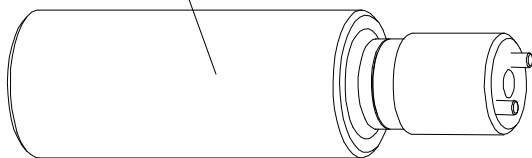
236

MICROVALVE TRIGGER & DUMP



252

253



237

MICROVALVE TRIGGER & DUMP W/ REGULATOR

STANDARD REGULATOR CAVITY COMPONENTS SEE FIGURE 27.1

Figure 40

DESCRIPTION	ITEM #	FIG	EFC PART #	SAMES® PART #
MANIFOLD ASS'Y, SP, NO REG, NO DUMP, MICROVALVE TRIGGER	235	40	821T30	N/A
MANIFOLD BODY, SP, NO REG, NO DUMP, MICROVALVE TRIGGER	235.1	40	821T30A	N/A
MANIFOLD ASS'Y, SP, NO REG, MICROVALVE TRIGGER AND DUMP	236	40	819T30	N/A
MANIFOLD BODY, SP, NO REG, MICROVALVE TRIGGER AND DUMP	236.1	40	819T30A	N/A
MANIFOLD ASS'Y, SP, STD REG, MICROVALVE TRIGGER AND DUMP	237	40	820T30	N/A
MANIFOLD BODY, SP, STD REG, MICROVALVE TRIGGER AND DUMP	237.1	40	820T30A	N/A
MICROVALVE (CHEMICALLY RESISTANT)	252	40	277T60CRG	1506729
TOOL, MICROVALVE REMOVAL	253	40	TL950	736170