

# EXTERNAL REGULATOR (0-1500 cc/min)

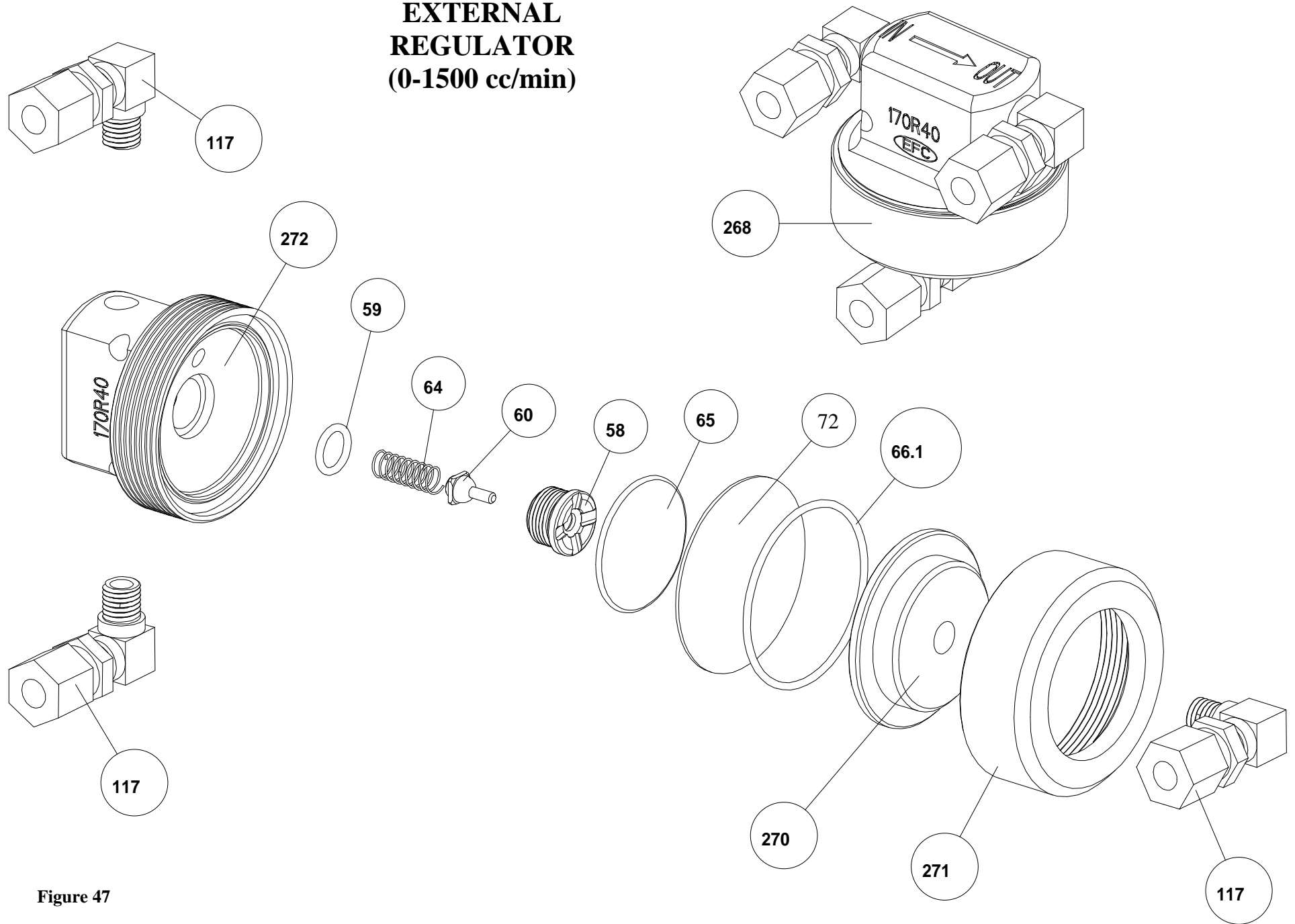


Figure 47

<b>DESCRIPTION</b>	<b>ITEM #</b>	<b>FIG</b>	<b>EFC PART #</b>	<b>SAMES® PART #</b>
SEAT, STAINLESS STEEL	58	47	211M50	742761
O-RING, TEFLON®	59	47	1020TR	J3TTCN007
NEEDLE VALVE, STAINLESS STEEL	60	47	210M50	740511
REGULATOR SPRING	64	47	204M50	742759
REGULATOR DIAPHRAGM HOLDER	65	47	208M50	449545
O-RING, VITON®	66.1	47	4724VR	N/A
EXTERNAL REGULATOR DIAPHRAGM	72	47	209R55	449550
FITTING, NYLON	117	47	1814NYE	85-0153-56
REGULATOR ASS'Y	268	47	170R40	457411
REGULATOR CAP	270	47	170R40B	742546
REGULATOR NUT	271	47	170R40C	449699
REGULATOR BODY	272	47	170R40D	43705