

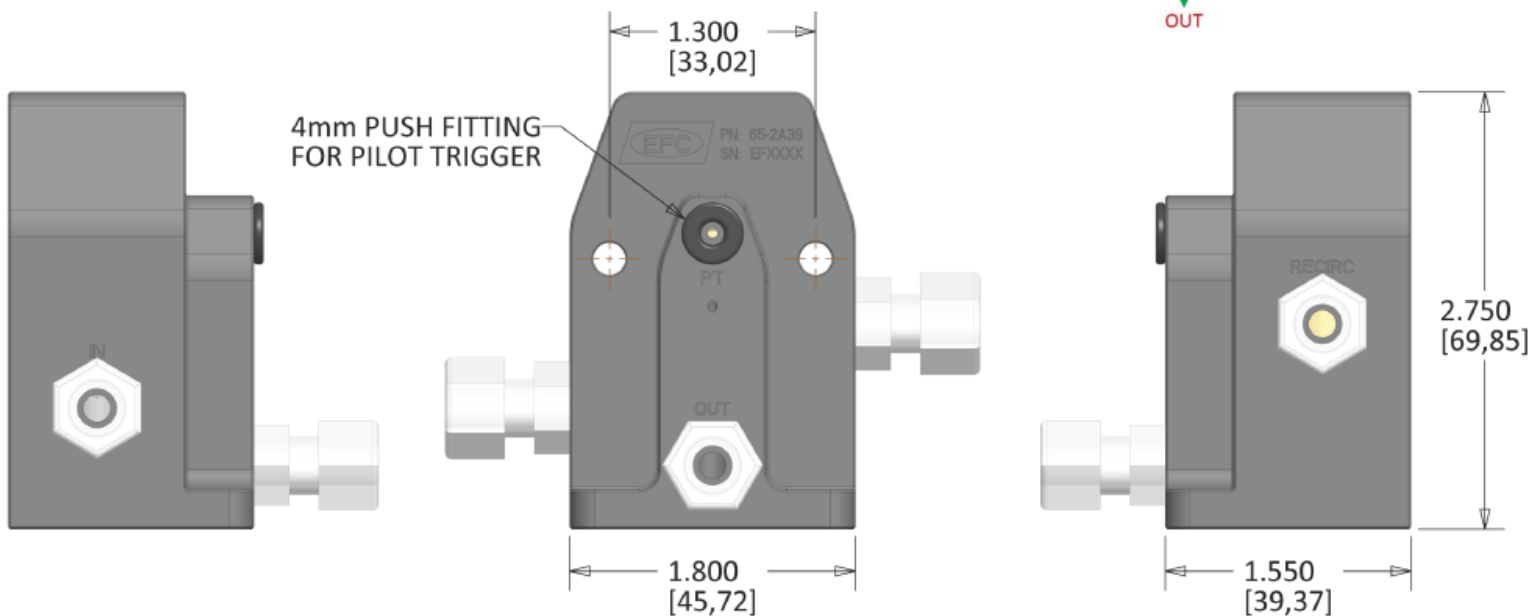
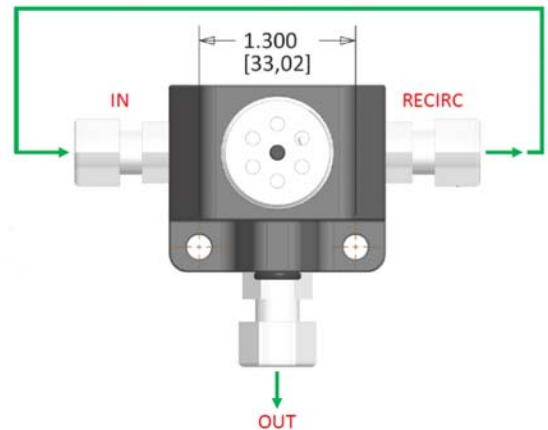
# EFC Systems 65-2A39

## 2 & 3 Way Fluid Block



### 2 & 3 Way Fluid Control for Trigger, Recirc, or Flow-Through Applications Requiring a Standalone System

- 2 or 3-Way Adaptable Fluid Operation (Block Off Plug Included)
- Versatile Mounting Configuration for Wall or Floor Mounts
- 1/4" Compression Fittings (Optional Push Lock Fittings)
- Replaceable Microvalve Warrantied for 1 million Cycles
- Standard 4mm Push Lock Pilot Trigger (5/32")
- MEK, Acetone, Toluene & Solvent Resistance
- Machined from Chemical Resistant Engineered Thermoplastic
- Custom Laser Engraving Options for Customer Specified Port Identification
- Standalone Operation & Compact Design
- Off the Shelf Availability
- PN# 65-2A39



#### EFC SYSTEMS, INC.

1851 CLARK ROAD  
HAVRE DE GRACE, MD 21078  
+1 800 365-5897  
WWW.EFCUSA.COM

SPRAYING TOMORROW'S TECHNOLOGY®



SYSTEMS, INC.

Form No: M 65-2A39 4.2015

© 2015 EFC Systems, Inc. All Rights Reserved. Specification subject to change without notice