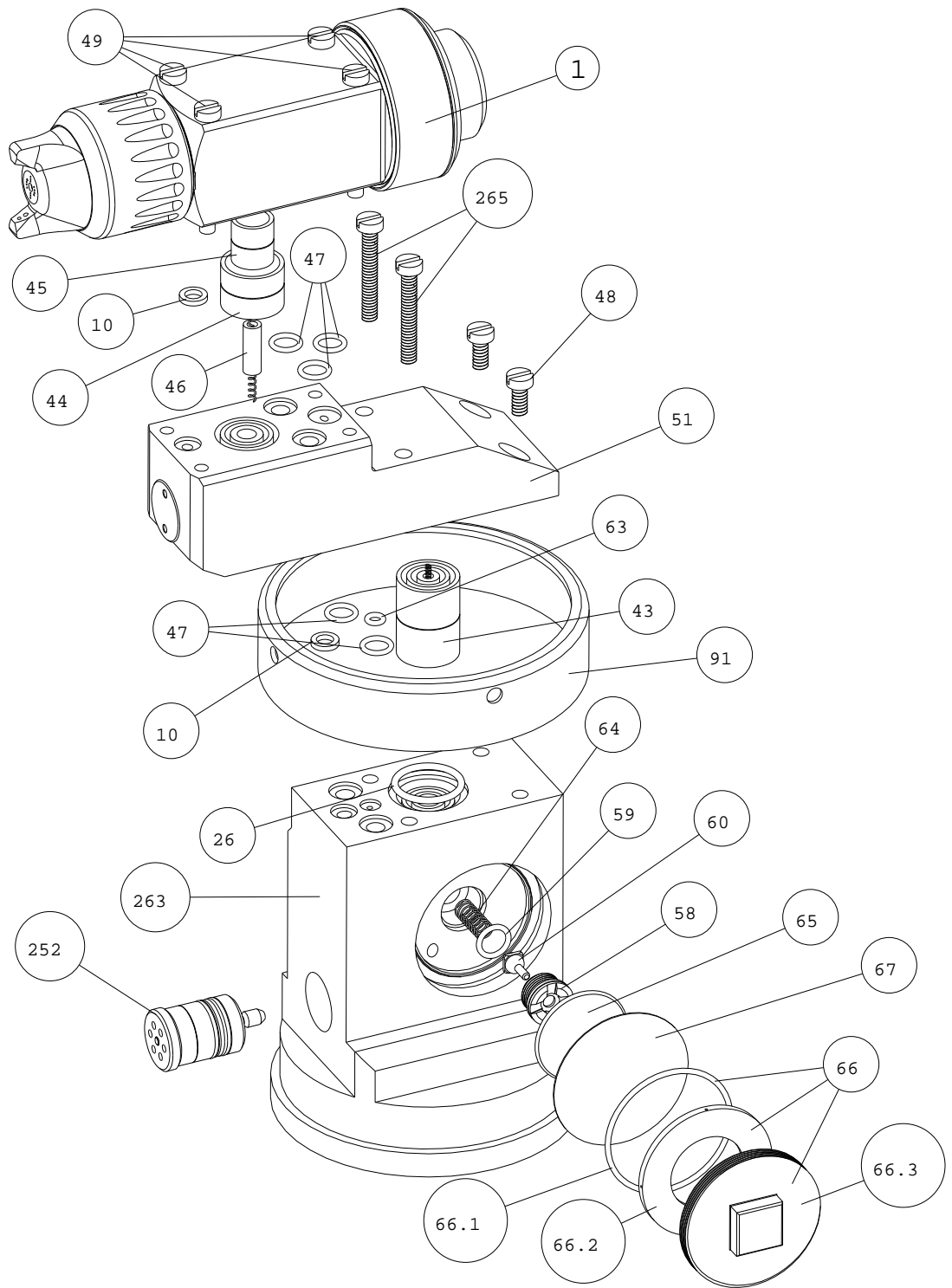
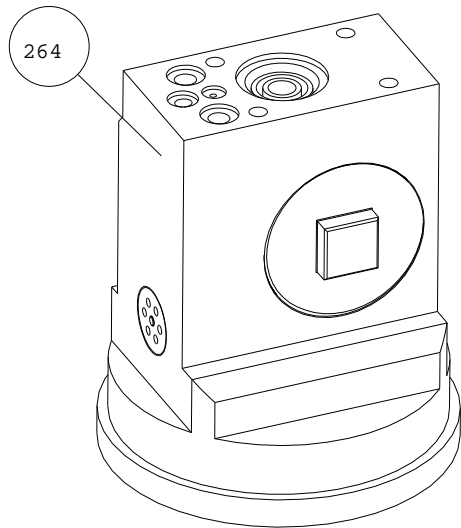


ESS19

SINGLE PURGE MANIFOLD ASSY
WITH REGULATOR, MICROVALVE
DUMP AND INTEGRAL BASE PLATE.



BASE PLATE O-RINGS SPECIFICATIONS

EFC PN	LOCATION
8919CR	FA, AA
5217CR	P, D
4219VR	PT, PD, PR

Figure 17

DESCRIPTION	ITEM #	FIG	EFC PART #	SAMES® PART #
EFC 100 GUN ASS'Y COMPLETE (BLACK)	1	17	100A50	752950
EFC 100 GUN ASS'Y COMPLETE (WHITE)	1.1	17	100A50W	857373
WASHER, FLAT, TEKREZ® (CHEMICALLY RESISTANT)	10	17	252L60	82-0883-00
O-RING, VITON®	26	17	2524VR	J2FTCF051
O-RING, TEKREZ® (CHEMICALLY RESISTANT)	26.1	17	2524CR	82-0410-11
MAIN ISOLATOR	43	17	316P50	448768
OUTER SLEEVE	44	17	600A40	449707
INNER SLEEVE	45	17	601A40	449706
RESISTOR ASS'Y	46	17	612A40	740532
O-RING, VITON®	47	17	8919VR	J2FTCF018
O-RING, TEKREZ® (CHEMICALLY RESISTANT)	47.1	17	8919CR	82-0410-03
SCREW, NYLON	48	17	616NSC	N/A
SCREW, NYLON GLASS FILLED	48.1	17	616NGF	X9SVCB223
SCREW, NYLON	49	17	650NSC	N/A
SCREW, NYLON GLASS FILLED	49.1	17	650NGF	X9SVCB232
ADAPTER, SINGLE GUN, 90°	51	17	319B50	750662
ADAPTER, SINGLE GUN, 90°, W/ PAINT CLEANING SCREW	51.1	17	319B50M	N/A
SEAT, STAINLESS STEEL	58	17	211M50	742761
SEAT, COMPOSITE	58.1	17	30-1A22	N/A
O-RING, TEFLON®	59	17	1020TR	J3TTCN007
NEEDLE VALVE, STAINLESS STEEL	60	17	210M50	740511
NEEDLE VALVE, COMPOSITE	60.1	17	210M50A	N/A
O-RING, VITON®	63	17	4219VR	J2FTCF043
RESTRICTOR SPRING	64	17	204M50	742759
REGULATOR DIAPHRAGM HOLDER	65	17	208M50	449545
REGULATOR COVER ASSEMBLY	66	17	205M50	435867
O-RING, VITON®	66.1	17	4724VR	N/A
REGULATOR COVER SPACER	66.2	17	205M50C	741037
REGULATOR COVER, SQUARE	66.3	17	205M50M	72-0559-02
REGULATOR COVER, 4 HOLE	66.4	17	206M50	741286
REGULATOR DIAPHRAGM	67	17	209M50	640265
STAINLESS STEEL NUT	91	17	306P50	744633
MICROVALVE (CHEMICALLY RESISTANT)	252	17	277T60CRG	1506729
MANIFOLD BODY, SP, STD REG, MICROVALVE DUMP, E-STYLE, W/ BASE PLATE	263	17	30-1A14A	N/A
MANIFOLD ASS'Y, SP, STD REG, MICROVALVE DUMP, E-STYLE, W /BASE PLATE	264	17	30-1A14	N/A
SCREW, NYLON	265	17	640NSC	N/A
SCREW, NYLON GLASS FILLED	265.1	17	640NGF	X9SVCB230