

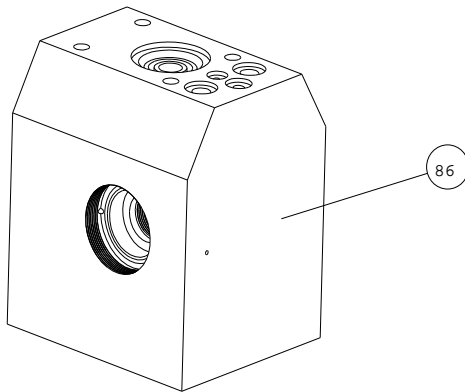
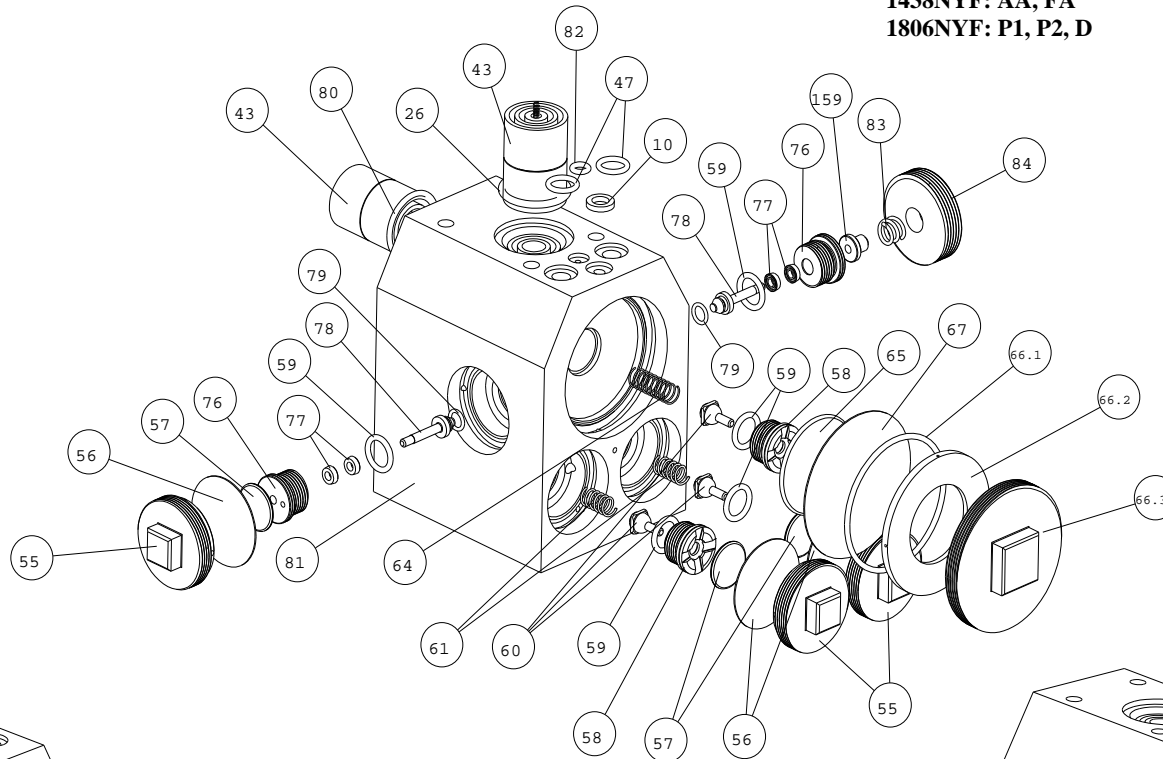
DUAL PURGE MANIFOLD ASSY

MANIFOLD W/REG & DUMP CAVITIES

1836NYF: PT, PV, PD1, PD2, PR

1438NYF: AA, FA

1806NYF: P1, P2, D

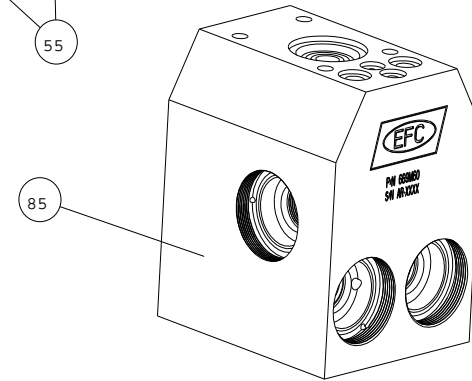


MANIFOLD W/O REG & DUMP CAVITIES

1836NYF: PT, PV

1438NYF: AA, FA

1806NYF: P1, P2



MANIFOLD W/O REG CAVITIES

1836NYF: PT, PV, PD1, PD2

1438NYF: AA, FA

1806NYF: P1, P2

Figure 18.1

DESCRIPTION	ITEM #	FIG	EFC PART #	SAMES® PART #
WASHER, FLAT TEKREZ® (CHEMICALLY RESISTANT)	10	18.1	252L60	82-0883-00
O-RING, VITON®	26	18.1	2524VR	J2FTCF051
O-RING, TEKREZ® (CHEMICALLY RESISTANT)	26.1	18.1	2524CR	82-0410-11
MAIN ISOLATOR	43	18.1	316P50	448768
O-RING, VITON®	47	18.1	8919VR	J2FTCF018
O-RING, TEKREZ® (CHEMICALLY RESISTANT)	47.1	18.1	8919CR	82-0410-03
VALVE COVER NUT, SQUARE	55	18.1	201M50M	72-0559-01
VALVE COVER NUT, 2 HOLE	55.1	18.1	201M50	449548
VALVE DIAPHRAGM	56	18.1	202M50	449549
VALVE DIAPHRAGM HOLDER	57	18.1	203M50	449546
SEAT, STAINLESS STEEL	58	18.1	211M50	742761
SEAT, COMPOSITE	58.1	18.1	30-1A22	N/A
O-RING, TEFLON®	59	18.1	1020TR	J3TTCN007
NEEDLE VALVE, STAINLESS STEEL	60	18.1	210M50	740511
NEEDLE VALVE, COMPOSITE	60.1	18.1	210M50A	N/A
VALVE SPRING	61	18.1	213M50	742760
REGULATOR SPRING	64	18.1	204M50	742759
REGULATOR DIAPHRAGM HOLDER	65	18.1	208M50	449545
REGULATOR COVER ASS'Y (INCLUDES 66.1, 66.2, 66.3)	66	18.1	205M50	435867
O-RING, VITON®	66.1	18.1	4724VR	N/A
REGULATOR COVER SPACER	66.2	18.1	205M50C	741037
REGULATOR COVER, SQUARE	66.3	18.1	205M50M	72-0559-02
REGULATOR COVER, 4 HOLE	66.4	18.1	206M50	741286
REGULATOR DIAPHRAGM	67	18.1	209M50	640265
PACKING HOLDER ASS'Y (INCLUDES #77)	76	18.1	674M60	742632
SEAL	77	18.1	30-1A28J	N/A
NEEDLE VALVE (INCLUDES #79)	78	18.1	675M60	543183
O-RING, TEKREZ® (CHEMICALLY RESISTANT) BLACK	79	18.1	3617CRB	82-0884-26
O-RING, VITON®	80	18.1	2252VR	J2FTDF279
O-RING, TEKREZ® (CHEMICALLY RESISTANT)	80.1	18.1	2252CR	82-0410-13
MANIFOLD BODY, DP, STD REG, STD DUMP	81	18.1	670M60A	438922
O-RING, VITON®	82	18.1	5719VR	J2FTCF008
O-RING, TEKREZ® (CHEMICALLY RESISTANT)	82.1	18.1	5719CR	82-0410-05
PUSHER SPRING	83	18.1	676M60	742631
PUSHER COVER	84	18.1	672M60	741962
MANIFOLD BODY, DP, NO REG, STD DUMP	85	18.1	669M60A	N/A
MANIFOLD BODY, DP, NO REG, NO DUMP	86	18.1	671M60A	N/A
PUSHER	159	18.1	673M60	741463