

MINI - GUN ASSY 10-1A30

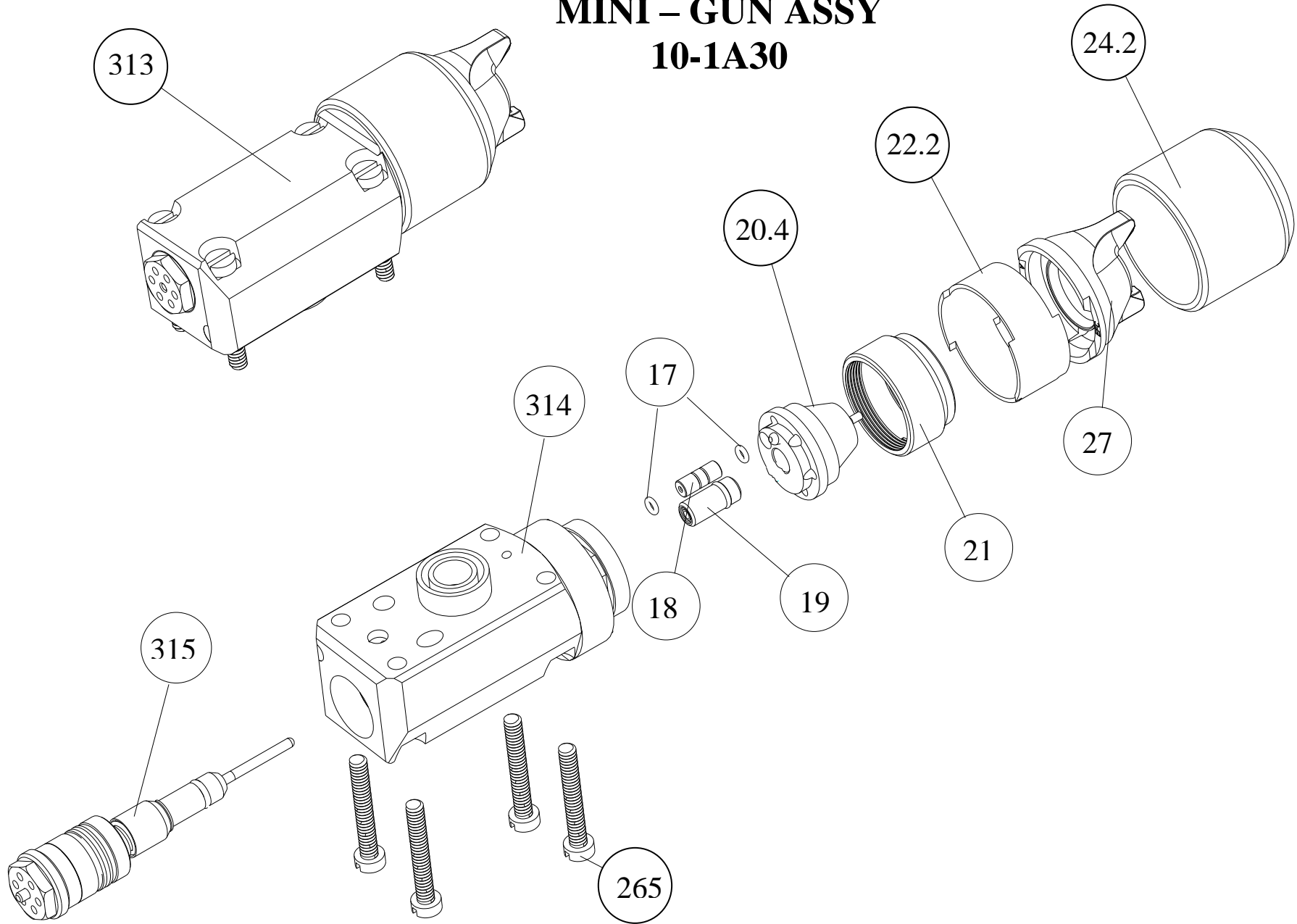


Figure 3

DESCRIPTION	ITEM #	FIG	EFC PART #	SAMES® PART #
O-RING TEKREZ® (CHEMICALLY RESISTANT)	17	3	3116CR	82-0410-18
RESTRICTOR (SEE FIGURE 5.1)	18	3	N/A	N/A
PACKING HOLDER ASS'Y	19	3	108A50	745529
NOZZLE ASS'Y 1.5MM, ESTAT FOR A71	20.4	3	10-1A13	N/A
NOZZLE ASS'Y 1.5MM, NON-ESTAT FOR A71	20.5	3	106A50	N/A
NOZZLE NUT	21	3	102A50	744539
GUIDE RING VERTICAL FOR A71	22.2	3	20-1A25	N/A
GUIDE RING HORIZONTAL FOR A71	22.3	3	20-1A26	N/A
AIR CAP NUT FOR A71 (STANDARD)	24.2	3	117A50	N/A
AIR CAP NUT FOR A71 MINI-GUN & CRYSTAL CAP CLEANER	24.8	3	10-1A31	N/A
AIR CAP (SEE FIGURE 4)	27	3	805A71	N/A
SCREW, NYLON	265	3	640NSC	N/A
SCREW, NYLON GLASS FILLED	265.1	3	640NGF	X9SVCB230
EFC MINI-GUN ASS'Y COMPLETE	313	3	10-1A30	N/A
EFC MINI-GUN BODY	314	3	10-1A29	N/A
EFC MINI-GUN MICROVALVE CARTRIDGE	315	3	10-1A15	N/A