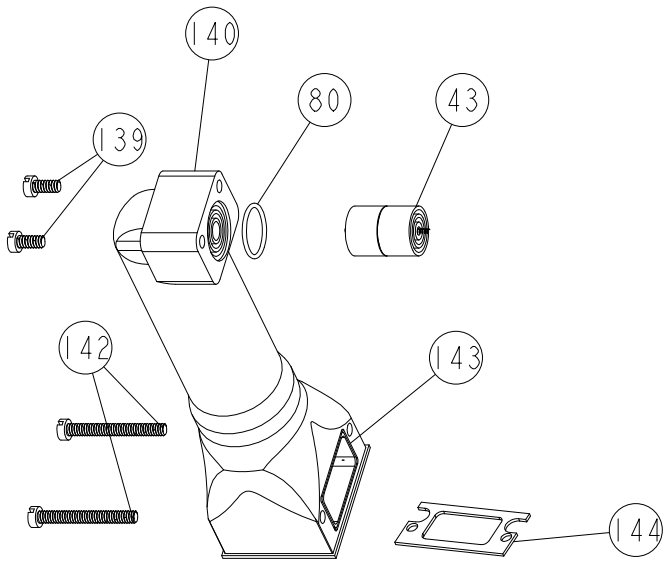
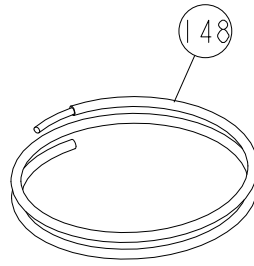


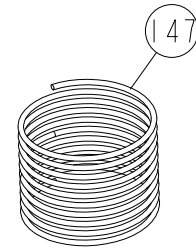
HIGH VOLTAGE ACCESSORIES



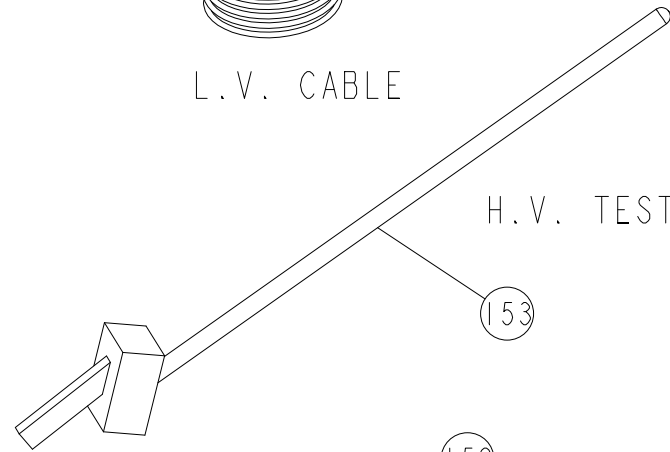
CASCADE



H.V. CABLE
ASSY - **100 K.V.**



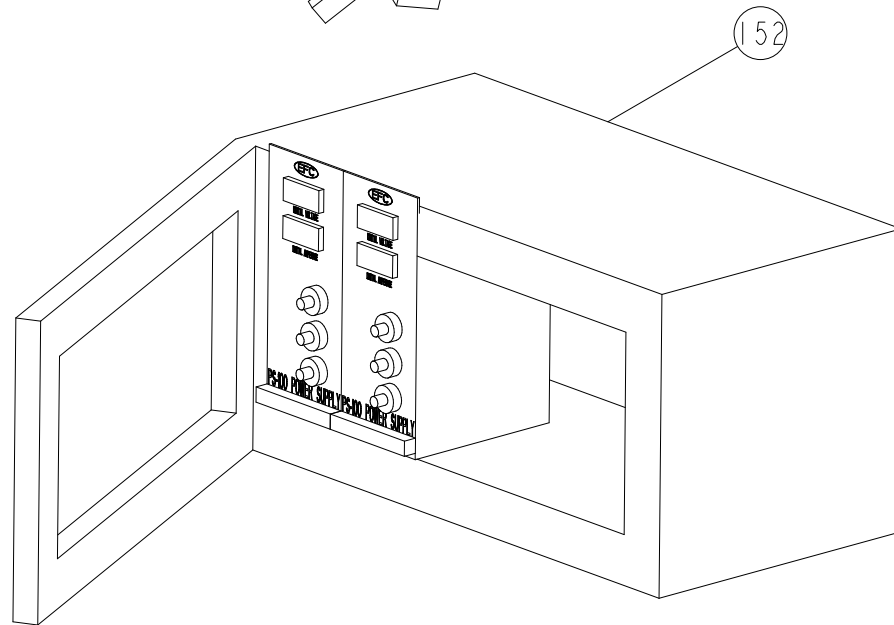
L.V. CABLE



H.V. TEST WAND



102



WALL MOUNT CABINET

Figure 33

POWER SUPPLY

DESCRIPTION	ITEM #	FIG	EFC PART #	SAMES® PART #
MAIN ISOLATOR	43	33	316P50	448768
O-RING, VITON®	80	33	2252VR	J2FTDF279
O-RING, TEKREZ® (CHEMICALLY RESISTANT)	80.1	33	2252CR	82-0410-13
POWER SUPPLY, DIGITAL	102	33	UP200	N/A
SCREW, NYLON	139	33	535NSC	740450
SCREW, NYLON GLASS FILLED	139.1	33	535NGF	N/A
CASCADE, H.V., 3 PIN	140	33	250C50	72-0542-00
SCREW, NYLON	142	33	665NSC	740451
SCREW, NYLON GLASS FILLED	142.1	33	665NGF	N/A
O-RING, TEKREZ® (RECOMMENDED)	143	33	3917CR	N/A
O-RING, VITON®	143.1	33	3917VR	N/A
COVER GASKET, FLAT, RUBBER (OPTIONAL)	144	33	404U30	842959
L.V. CABLE TEFLON COATED (SOLD BY THE FOOT)	147	33	45-1A29	84-0038-04
H.V. CABLE ASSEMBLY, 100KV (1/4" DIA), (8')	148	33	60-1A36	63-0275-00
H.V. CABLE ASSEMBLY, 100KV (1/4" DIA), (10')	148.1	33	60-1A37	63-0275-04
H.V. CABLE ASSEMBLY, 100KV (1/4" DIA), (15')	148.2	33	60-1A38	63-0275-05
H.V. CABLE ASSEMBLY, 100KV (1/4" DIA), (16')	148.3	33	60-1A39	N/A
H.V. CABLE ASSEMBLY, 100KV (1/4" DIA), (18')	148.4	33	60-1A40	63-0275-09
H.V. CABLE ASSEMBLY, 100KV (1/4" DIA), (50')	148.5	33	60-1A41	63-0275-08
H.V. CABLE ASSEMBLY, 100KV (1/4" DIA), (20')	148.6	33	60-1A35	N/A
RITTAL CABINET	152	33	CB-1000	N/A
HIGH VOLTAGE TEST WAND	153	33	300W10	N/A