

TURBINE ASSEMBLY

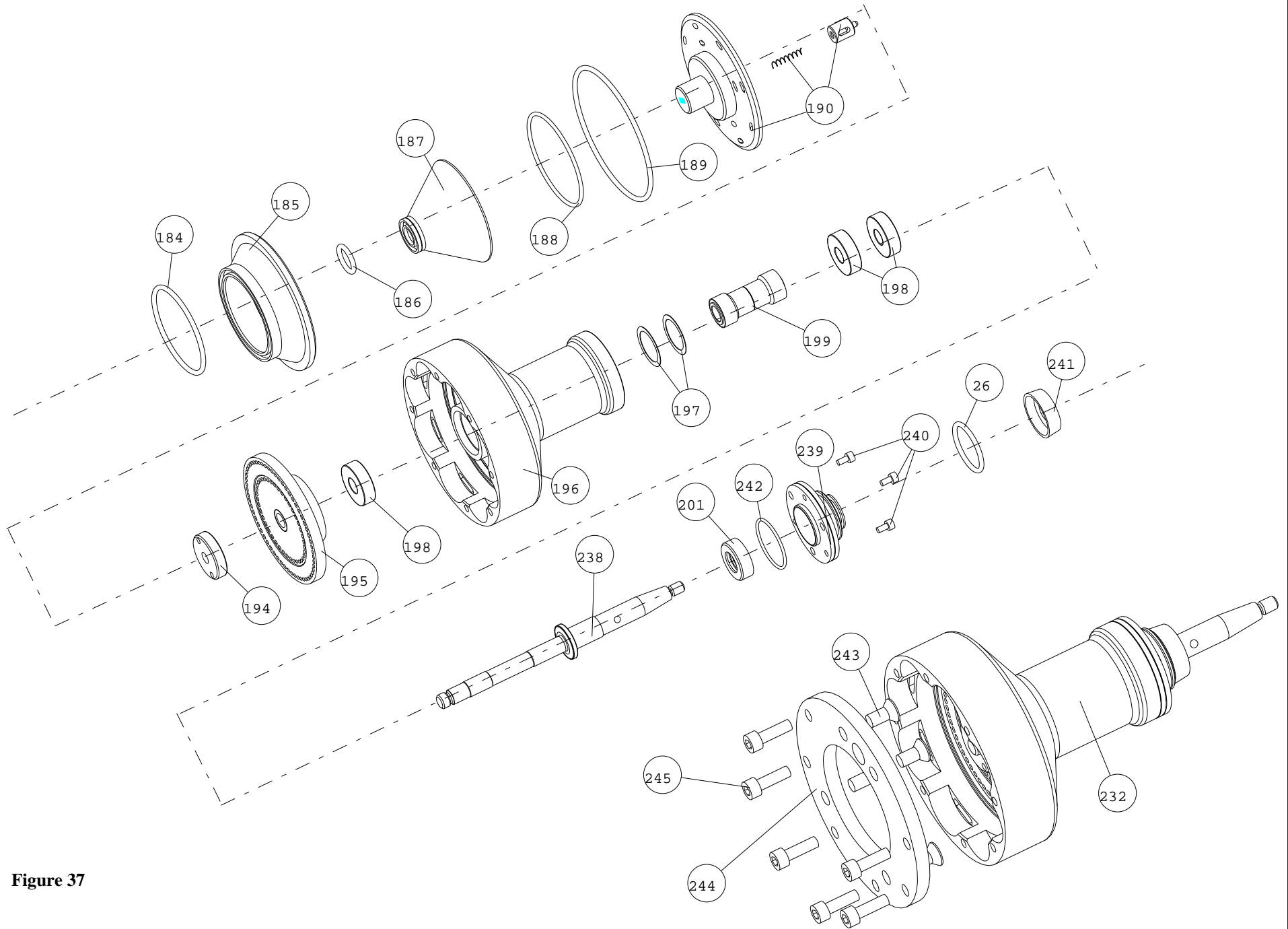


Figure 37

DESCRIPTION	ITEM #	FIG	EFC PART #	SAMES® PART #
O-RING, VITON	26	37	2524VR	J2FTCF051
O-RING, RUBBER	184	37	4825BR	J2CTCN097
AIR INTAKE CHAMBER	185	37	508T30	746042
O-RING, RUBBER	186	37	1225BR	J2CTCN027
BREAK AIR CONE	187	37	525T30	746043
O-RING, RUBBER	188	37	5220BR	J2CTCN104
O-RING, RUBBER	189	37	7526BR	J2CTPB588
TURBINE DRIVE PLATE ASS'Y, DOUBLE ROW, 8 HOLES	190	37	569T30B	428624
TURBINE DRIVE PLATE ASS'Y, SINGLE ROW, 8 HOLES	190.1	37	569T30	424024
DRIVE SHAFT NUT	194	37	517T30	N/A
TURBINE WHEEL, DOUBLE ROW	195	37	519T30	N/A
TURBINE HOUSING	196	37	574X40	N/A
WAVE WASHER	197	37	547T30	N/A
TURBINE BEARING (3 REQUIRED) (1.5 SETS)	198	37	470D20	N/A
BALL BEARING SPACER	199	37	515T30	N/A
LABYRINTH BEARING	201	37	514T30	N/A
TURBINE SUB ASS'Y	232	37	500T30	459791
TURBINE SHAFT	238	37	516T30A	N/A
RETAINER COVER BEARING ASS'Y (INCLUDES 201)	239	37	576X40A	N/A
SCREW, SS SOCKET HEAD CAP	240	37	308SSC	N/A
SHAFT SPINNER	241	37	513T60	N/A
O-RING, RUBBER	242	37	2715BR	N/A
SCREW, SS COUNTERSUNK PHILLIPS	243	37	612SSCT	N/A
TURBINE FIXATION PLATE	244	37	417T30	746044
SCREW, SS SOCKET HEAD CAP	245	37	516SSC	X3AVSY183