

VersaBell III Replacement Parts



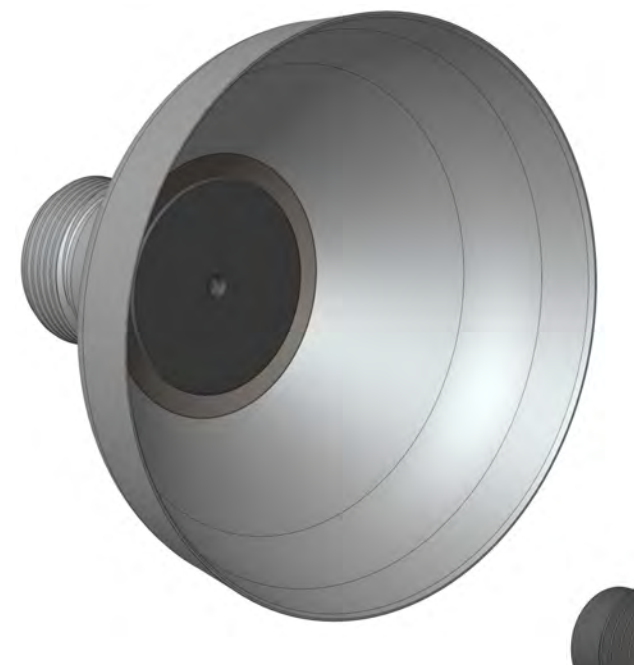
Bell Cup Assembly
65mm Non-Serrated
EO-4526-520-000A
EO-4526-526-000A
25-2A77



Bell Cup Insert
For 25-2A77 Cups
25-5A77F



Bell Cup Assembly
65mm Serrated
EO-4526-520-000B
EO-4526-526-000B
25-2A77K



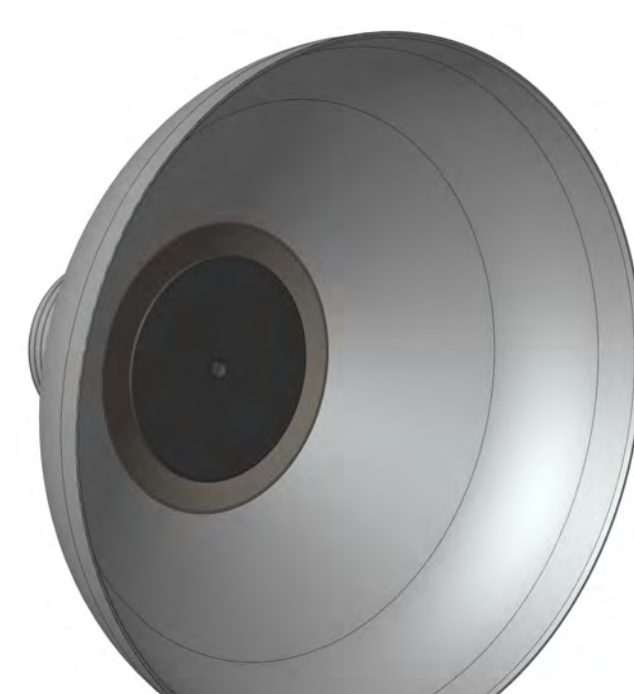
Bell Cup Assembly
65mm Non-Serrated
EO-4526-520-000B
25-2A24



Bell Cup Insert
For 25-2A24 Cups
25-2A24G



Bell Cup Assembly
65mm Serrated
EO-4526-531-000B
25-2A24K



Bell Cup Assembly
80mm Non-Serrated
EO-5841-531-000A
25-2A80

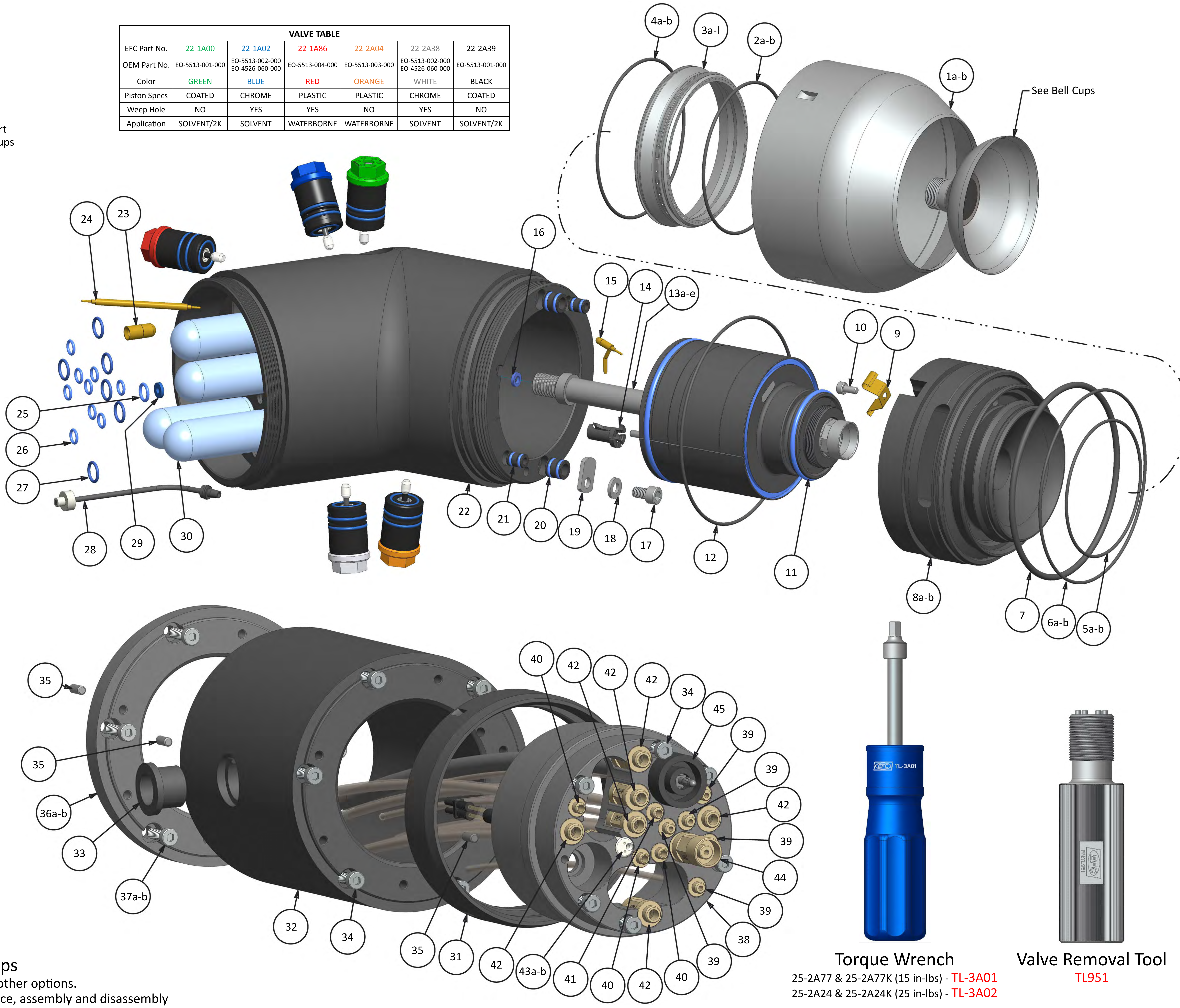


Bell Cup Insert
For 25-2A80 Cups
25-2A80G



Bell Cup Assembly
80mm Serrated
EO-5841-531-000B
25-2A80K

VALVE TABLE						
EFC Part No.	22-1A00	22-1A02	22-1A86	22-2A04	22-2A38	22-2A39
OEM Part No.	EO-5513-001-000	EO-5513-002-000 EO-4526-060-000	EO-5513-004-000	EO-5513-003-000	EO-5513-002-000 EO-4526-060-000	EO-5513-001-000
Color	GREEN	BLUE	RED	ORANGE	WHITE	BLACK
Piston Specs	COATED	CHROME	PLASTIC	PLASTIC	CHROME	COATED
Weep Hole	NO	YES	YES	NO	YES	NO
Application	SOLVENT/2K	SOLVENT	WATERBORNE	WATERBORNE	SOLVENT	SOLVENT/2K



Torque Wrench
25-2A77 & 25-2A77K (15 in-lbs) - **TL-3A01**
25-2A24 & 25-2A24K (25 in-lbs) - **TL-3A02**



Valve Removal Tool
TL951

PARTS LIST				
No.	Description	EFC Part No.	OEM Part No.	Qty.
1a	OUTER SHROUD, 65mm	22-3A71	EO-6607-200-001	1
1b	OUTER SHROUD, 80mm	22-3A72	EO-6607-220-001	1
2a	O-RING, FRONT 65mm SINGLE & DUAL SHAPING AIR NOZZLE	6917TVR	EO9999-200-002N	1
2b	O-RING, FRONT 80mm SINGLE & DUAL SHAPING AIR NOZZLE	8217TVR	EO9999-200-002R	1
3a	DUAL SHAPING AIR NOZZLE,	N/A	CONTACT FACTORY DIRECT	1
3b	DUAL SHAPING AIR NOZZLE,	N/A	CONTACT FACTORY DIRECT	1
3c	DUAL SHAPING AIR NOZZLE,	N/A	CONTACT FACTORY DIRECT	1
3d	DUAL SHAPING AIR NOZZLE,	N/A	CONTACT FACTORY DIRECT	1
3e	DUAL SHAPING AIR NOZZLE,	N/A	CONTACT FACTORY DIRECT	1
3f	SINGLE SHAPING AIR NOZZLE,	N/A	CONTACT FACTORY DIRECT	1
3h	SINGLE SHAPING AIR NOZZLE,	N/A	CONTACT FACTORY DIRECT	1
3j	SINGLE SHAPING AIR NOZZLE,	N/A	CONTACT FACTORY DIRECT	1
3k	SINGLE SHAPING AIR NOZZLE,	N/A	CONTACT FACTORY DIRECT	1
3l	SINGLE SHAPING AIR NOZZLE,	N/A	CONTACT FACTORY DIRECT	1
4a	O-RING, REAR 65mm SINGLE & DUAL SHAPING AIR NOZZLE	7217TVR	EO9999-200-002V	1
4b	O-RING, REAR 80mm SINGLE & DUAL SHAPING AIR NOZZLE	8817TVR	EO9999-200-002E	1
5a	O-RING, FRONT 65mm FRONT MANIFOLD	6017TVR	EO9999-200-002C	1
5b	O-RING, FRONT 80mm FRONT MANIFOLD	7617TVR	EO9999-200-002Q	1
6a	O-RING, MIDDLE 65mm FRONT MANIFOLD	9417TVR	EO9999-200-002S	1
6b	O-RING, MIDDLE 80mm FRONT MANIFOLD	10917TVR	EO9999-200-002W	1
7	O-RING, REAR 65mm & 80mm FRONT MANIFOLD	10735VR*	EO9999-200-0045	1
8a	FRONT MANIFOLD, 65mm	22-3A93	EO-6607-200-101	1
8b	FRONT MANIFOLD, 80mm	22-3A94	EO-6607-220-101	1
9	GROUNDING CLIP	22-3A19	EO-6607-200-102	1
10	SCREW, GROUNDING CLIP	22-3A26	SSHCM0040700085	1
11	TURBINE ASSEMBLY	22-3A70	EO6301-022-000C	1
12	O-RING, REAR MANIFOLD	11517TVR	EO9999-200-002X	1
13a	INJECTOR TOWER, 0.6mm	22-2A87	EO6607-400-001A	1
13b	INJECTOR TOWER, 0.9mm	22-2A88	EO6607-400-001B	1
13c	INJECTOR TOWER, 1.2mm	22-2A89	EO6607-400-001C	1
13d	INJECTOR TOWER, 1.8mm	22-2A90	EO6607-400-001D	1
13e	INJECTOR TOWER, 2.0mm	22-2A91	EO6607-400-001E	1
14	FIBER OPTIC CABLE RETAINER	22-3A51	N/A	1
15	GROUNDING PIN ASSEMBLY	22-3A89	EO-6607-500-015	1
16	FLAT WASHER, TEKREZ*	22-1A11	EO9999-200-003C	1
17	SCREW, TURBINE RETAINER	22-3A92	SSHCM0061000255	1
18	WASHER, TURBINE RETAINER	22-3A91	WSHME0000000255	1
19	TURBINE RETAINER	22-3A90	EO-6607-500-006	1
20	PIPETTE, 7mm WITH O-RINGS	22-1A59	EO-4526-610-022	2
21	PIPETTE, 4mm WITH O-RINGS	22-1A58	EO-4526-610-020	2
22	REAR MANIFOLD	22-3A10	EO6607-500-001A	1
23	GROUNDING PLUG	22-3A87	EO-6607-500-003	1
24	GROUNDING PIN	22-3A86	EO-6607-500-014	1
25	O-RING, TEKREZ*	7617CR	EO9999-200-001E	1
26	O-RING, TEKREZ*	6017CR	EO9999-200-001D	9
27	O-RING, TEKREZ*	9217CR	EO9999-200-001F	6
28	FIBER OPTIC CABLE	22-2A98	EO6607-310-151A	1
29	FLAT WASHER, TEKREZ*	22-1A12	EO9999-200-003D	1
30	MUFFLER	22-1A84	HPNMO0000042060	4
31	QD RETAINING RING	22-4A33	EO-6607-550-002	1
32	P-EXTENSION	22-3A81	EO6607-550-004A	1
33	CAP	22-3A84	CAPMO0000001210	2
34	SCREW, SOCKET HEAD CAP	22-4A34	EO9999-400-001C	12
35	PIN	22-2A86	PINMO050000125	3
36a	ROBOT MOUNTING ASSEMBLY FOR P-250	22-3A52	EO-6607-550-006	1
36b	ROBOT MOUNTING ASSEMBLY FOR P-700/P-1000	22-3A53	EO-6607-550-005	1
37a	SCREW, P-250	22-3A27	SSHCM0050800165	6
37b	SCREW, P-700/P-1000	22-3A28	SSHCM0061000165	6
38	QD MAINFOLD	22-3A85	EO-6607-550-001	1
39	AIR BARREL ASSEMBLY 2.7 x 4 WITH 3617CR O-RING	22-1A94	EO-4696-570-003	5
40	AIR BARREL ASSEMBLY 4 x 6 WITH 6017CR O-RING	22-1A74	EO-4696-570-005	3
41	WASH BARREL ASSEMBLY 4 x 6 WITH 6017CR O-RING	22-2A32	EO-4696-560-005	1
42	AIR BARREL ASSEMBLY 6 x 8 WITH 7617CR O-RING	22-1A93	EO-4696-570-013	6
43a	SPEED BARREL WITH INTEGRATED KEY	22-3A76	EO-4696-570-007	1
43b	F.O. SPEED PICKUP CABLE	22-3A29	EO-6607-310-200	1
44	PAINT BARREL ASSEMBLY	22-2A99	EO-4696-560-011	1
45	HIGH VOLTAGE PLUG ASSEMBLY	22-2A84	EO-4696-560-009	1

Bell Cups
Contact factory for other options.
See EFC manual FC01 for maintenance, assembly and disassembly